

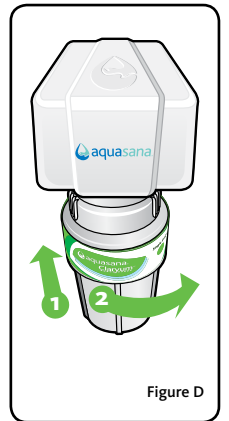
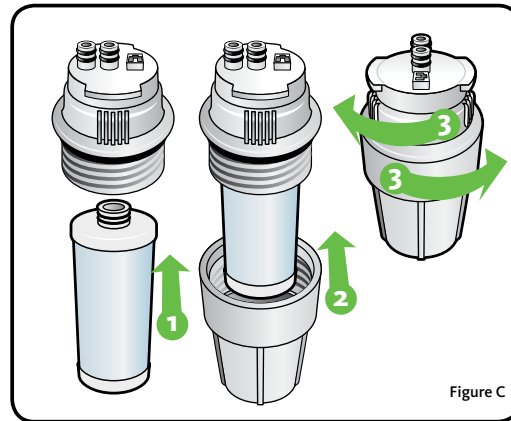
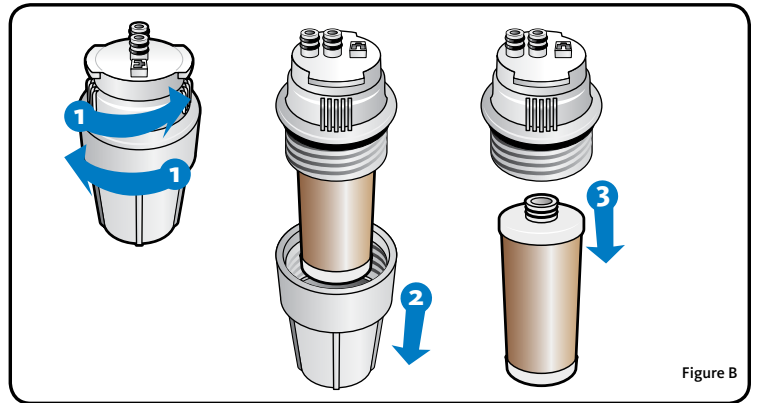
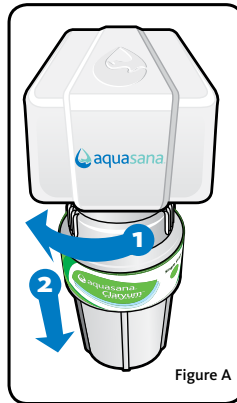
Model AQ-5100R

Replacement Cartridge Instructions

for use with AQ-5100



1. Shut off the cold water valve under the sink. Release the pressure from the system by turning on the filtration system faucet. Once there is no longer any water coming from the faucet, you will be ready to change the filter.
2. Unpack the replacement filter cartridge from the box & remove the plastic wrap from the filter.
3. Remove the cartridge sump from the filtration system by rotating the sump towards the left side & pull down to detach. *Figure A*
4. Hold the cartridge sump over the sink & separate the two pieces of the sump by turning the bottom portion of the sump in a counterclockwise direction. Pour any excess water down the drain. Pull down on the cartridge to disconnect it from the top half of the sump. *Figure B*
5. Insert and connect the new filter cartridge to the top half of the sump, then reattach the bottom of the sump to the top half by turning and tightening clockwise. *Figure C*
6. Reattach the sump to the bottom of the top housing by making sure all connection points are aligned. Push the top of the sump up and turn to the right. Ensure that the sump is fully attached and locked in. *Figure D*
7. Once the filter cartridge has been changed and the sump is securely attached to the top housing, slowly turn the cold water valve back on. Turn off the filtration system faucet & inspect for leaks.
8. Allow the filtered water to run for 10 minutes before drinking.



- Conforms to NSF/ANSI 53 for VOC reduction. See performance data sheet for individual contaminants and reduction or visit: aquasana.com/performance.
- Systems certified of cyst reduction may be used on disinfected waters that may contain filterable cysts.
- Rated capacity: 200 Gallons

Do not use with water that is microbiologically unsafe or of unknown quality without adequate disinfection before or after the system.



System tested and certified by NSF International against NSF/ANSI Standard 42 and 53 for the reduction of the claims specified on the Performance Data Sheet and at www.nsf.org.