



# Whole House **Iron Filter**

REPLACEMENT

Owner's Manual



**1 Shut Off Water Supply**

1. Turn off the main water source prior to filter replacement or turn off the shut-off valve. If using your bypass valve, shut off both sides of the bypass valve.
2. Drain water from lines to relieve pressure by turning on a faucet inside your home. When using the bypass method, you do not need to drain water from the lines.

**⚠ WARNING**

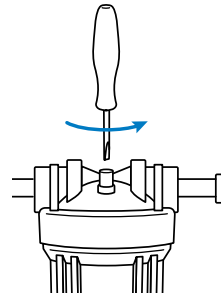


**ELECTRICAL SHOCK HAZARD**

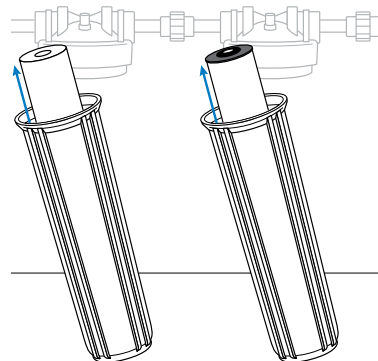
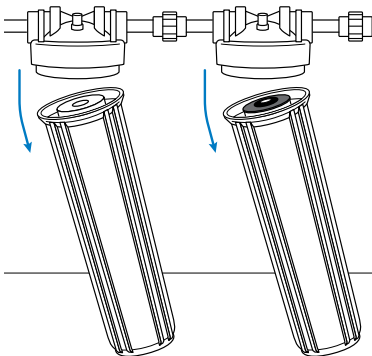
If you have copper pipes - leave your grounding clamps installed. Do not disconnect at any time while changing the tank. Failure to follow this instruction can result in death or electric shock.

**2 Remove Used Filter**

1. Release pressure from both the Pre-Filter and the Iron Filter by unscrewing the pressure-relieve valve located on the sump cap. If you are only changing one filter, you only need to release pressure from that sump.



2. Remove the bottoms of the filter housings from the sump caps.
3. Remove the used filter cartridges and discard accordingly.

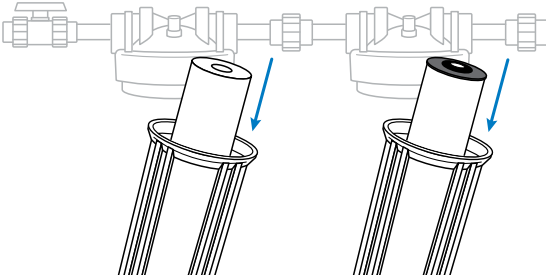


**⚠ WARNING**

Filter housings will be extremely heavy - DO NOT DROP. Dropping the housing will likely cause plastic to crack.

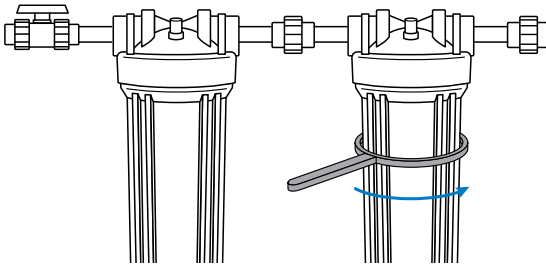
### 3 Insert Filters

1. Inspect the filters to ensure that the filters have not been damaged and there is no plastic or other objects stuck to the filters.
2. Wipe filter housings clean using cold water and a soft sponge.
3. Insert the Pre-Filter into the first housing labeled "Pre-Filter". Insert the Iron Filter into the housing labeled "Iron Filter".



**NOTE:** There is a notch in the bottom of the housing that will center the filter cartridge.

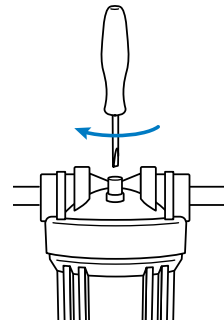
4. Clean the O-rings and relubricate with silicone grease. Re-seat the O-ring into the proper groove of the housing. **DO NOT** use petroleum jelly.
5. Manually tighten the housings to the sump caps. Then, using the sump wrench provided with your original system, fully tighten the housings. **DO NOT OVER-TIGHTEN.**



**NOTE:** You should only need to use the wrench for 1/8 to 1/4 of a turn.

### 4 Final System Check

1. Slowly turn on the main water supply or shut-off valve. If you have a bypass system, open both ends of the bypass.
2. Wait for air to purge from the pressure-relief valves and then turn and tighten the valves closed.
3. Once system has fully pressurized, inspect for leaks. After inspecting for leaks, turn on the faucet closest to the installed unit and allow water to run for 5 minutes for the final flushing period.



## Precautions

Properly tighten all fittings to ensure a leak-free assembly.

Use only certified, genuine Aquasana replacement filters for continued contaminant removal and system performance. Performance Data Sheet information can be found at [Aquasana.com](http://Aquasana.com).

**DO NOT** use with water that is microbiologically unsafe or of unknown water quality without adequate disinfection before or after the system. Systems certified for cyst reduction may be used on disinfected waters that may contain filterable cysts.

The recommended replacement frequency for the EQ-FE20-R is every 6 months. Frequency may vary based on amount of iron and sediment levels in the water.

For additional filters or to change frequency of water for life, please contact customer service listed below.



## Protect your investment and save money with Water for Life®.

Our Water for Life® program helps you protect the investment you've made in your family's health with an extended limited warranty on your new filtration system, a 15% discount on replacement filters, and free shipping.



### Extended Limited Warranty

Our performance promise to you – free replacement parts when needed.\*



### Discounted Replacements

The only way to lock in a 15% discount on replacement filters.



### Free Shipping

Replacements shipped to you right when you need them – at no extra cost.



### No Contract

Free to join and cancel anytime – no long-term commitment required.

## CONTACT US TO LEARN MORE



866-662-6885



[waterforlife@aquasana.com](mailto:waterforlife@aquasana.com)

*\*Exclusions apply. Limited Warranty details are available at [aquasana.com](http://aquasana.com). Benefits are for the term of Water for Life membership.*



### LOVE IT?

Please let us know with a review on Aquasana or your retailer's website.



### NEED HELP?

Give us a call at **866-662-6885** and tell us what's going on.

**Aquasana, Inc.**  
6310 Midway Road  
Haltom City, Texas 76117  
866.662.6885 USA  
877.332.7873 Canada  
[www.aquasana.com](http://www.aquasana.com)