

Protect your investment and save money with our Water for Life program.



Extended Warranty



Discounted Replacements



Free Shipping



No Contract

CONTACT US TO LEARN MORE 866-662-6885
waterforlife@aquasana.com



System tested and certified by WQA to NSF/ANSI Standard 42, 53, and 401 for the reduction of the claims specified on the Performance Data Sheet and at www.WQA.org.



For the full list of contaminants filtered, scan to view the Performance Data Sheet on AquaSana.com.

The recommended replacement frequency for the AQ-5300+R is every 6 months or 800 gallons of use. Use only certified, genuine AquaSana replacement filters for continued contaminant removal and system performance.

AquaSana, Inc.
 6310 Midway Road
 Haltom City, Texas 76117
 866.662.6885 USA
 877.332.7873 Canada
www.aquasana.com

100236367



AQ-5300+R

Under Sink Water Filter

Claryum® 3-Stage Max Flow

REPLACEMENT

Owner's Manual
 For use with AQ-5300+

INSTALLATION STEPS

1 Shut off the cold water valve under the sink. Release the pressure from the system by turning on the dedicated faucet. Once there is no longer any water flowing, you can proceed with replacing the filters.

2 Unbox filter replacements and remove plastic. Each filter is color coded to match the circle indicator on each filter housing.

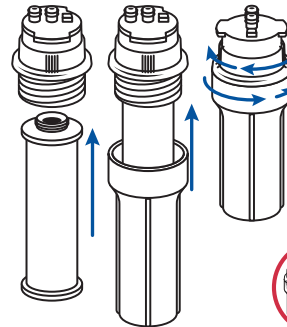
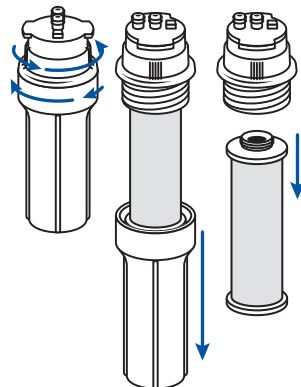
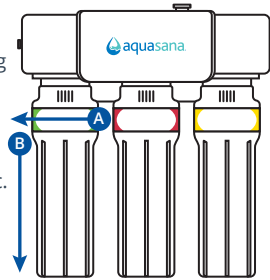
3 Remove each filter housing from the system manifold by turning the filter housing to the left. Pull down to detach. Ensure the filter housings are not on an angle while removing. This may result in damage to the o-ring.

4 Holding the filter housing over the sink, open it by turning the bottom counter-clockwise. Pour excess water down sink drain. Pull down on dirty filter to disconnect it from the filter housing. Continue this step for the second and third filter housing. While the housing is open, inspect each o-ring for damage. If damaged, replace immediately. If misaligned, gently move the o-ring into place.

NOTE: If filter housing is too tight to disconnect by hand, please use the plastic wrench included with original system.

NOTE: Must replace housing every 5 years or risk property damage from leaks. Call 866-662-6885 to order.

Do not use with water that is microbiologically unsafe or of unknown water quality without adequate disinfection before or after the system.



5 Press new replacement filter to the top of the filter housing using the appropriate color coded filters. Then, reconnect the bottom of the filter housing to the top half. Ensure connection points are correctly aligned, then turn clockwise to tighten. Continue this step for the second and third filter housing.

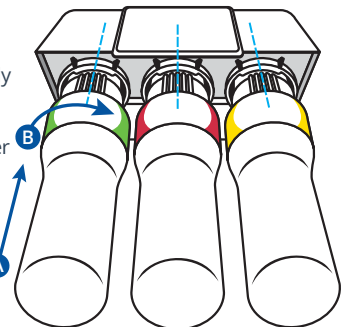


NOTE: Do not use tools to tighten. Hand tighten only.

6 Reattach filter housings to the bottom of the system manifold. Ensure connection points are correctly aligned, then push the filter housing up while turning clockwise. Continue this step for the second and third filter housing. Ensure all filter housings are locked in place, are not on an angle, and are aligned as pictured. Improper placement may result in damage to the o-ring or leakage.

7 Open battery door and remove old battery. Insert new battery. When inserted correctly, system will beep five times and blink red.

8 Once all filter housings have been replaced and reattached, slowly turn water valve on. Turn off faucet and inspect for leaks. Then, flush system for 10 minutes before drinking.



NOTE: Do not drink flushed water.



Scan to view the Claryum® 3-Stage Max Flow filter replacement video.