



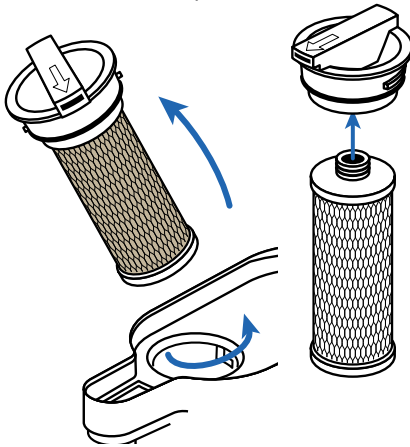
# Countertop Water Filter Clean Water Machine

## Replacement Filter Instructions

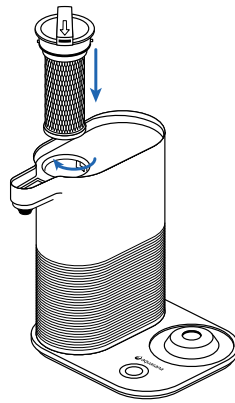
For use with AQ-CWM2-B



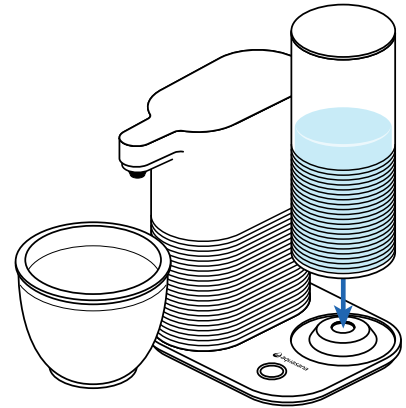
1. Unbox replacement filters and remove plastic. Remove filter housing lid. Twist filter chamber cap to the left and remove old filter from cap. Discard old filter.



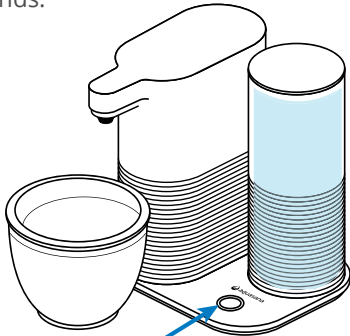
2. Press new filter into filter chamber cap ensuring a snug fit. Insert into housing unit and twist right to close.



3. Fill water tank and place on dispenser dock.

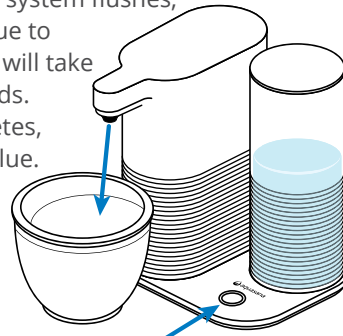


4. Press dock button 3 times quickly. Light will illuminate red for 5 seconds.



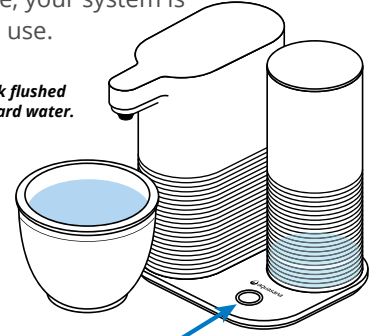
Press 3X Quickly  
Solid Red for 5 seconds

5. While red light is illuminated, press and hold dock button for 1 second. Light will blink red. While system flushes, light will continue to blink red. Flush will take about 60 seconds. As flush completes, light will blink blue.



Press & Hold for 1 second  
Blinks Red for 60 seconds

6. Light will illuminate blue for 5 seconds to confirm flush is complete. Once flush is complete, your system is ready to use.



Blinks Blue for 5 seconds  
Solid Blue for 5 seconds

**NOTE:**  
Do not drink flushed  
water. Discard water.

**NOTE:** Do not use with water that is microbiologically unsafe or of unknown water quality without adequate disinfection before or after the system.



Protect your investment and save money with our Water for Life program.



Extended  
Warranty



Discount  
Replacements



Free  
Shipping



No  
Contract

CONTACT US TO LEARN MORE [waterforlife@aquasana.com](mailto:waterforlife@aquasana.com)



Scan to view  
replacement video.



For the full list of  
contaminants filtered,  
scan to view the  
Performance Data Sheet  
on [Aguasana.com](http://Aguasana.com).



AQ-CWM2-R is certified by WQA  
to NSF/ANSI Standards 42, 53, and  
401 when used in AQ-CWM2-B  
for the reduction of the claims  
specified on the Performance Data  
Sheet and at [www.WQA.org](http://www.WQA.org).

The recommended replacement frequency for the AQ-CWM-B  
is every 6 months or 300 gallons of use.  
Use only certified, genuine Aquasana replacement filters for  
continued contaminant removal and system performance.

Aguasana, Inc.  
6310 Midway Road  
Haltom City, Texas 76117  
USA 866.662.6885 • CAN877.332.7873  
[www.aquasana.com](http://www.aquasana.com)